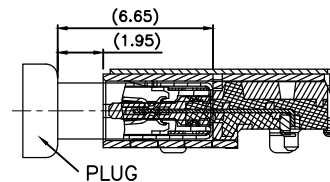
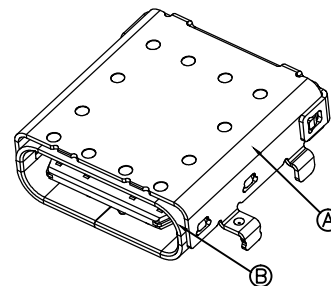
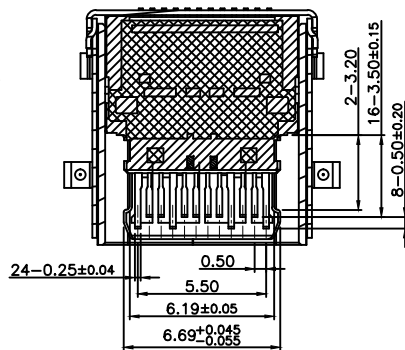
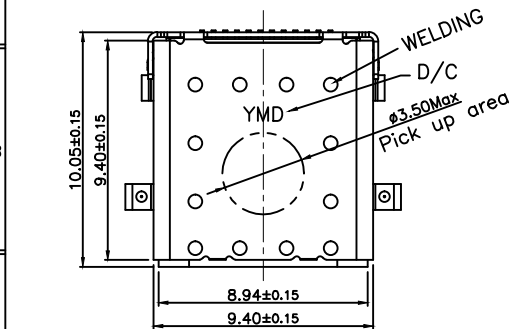
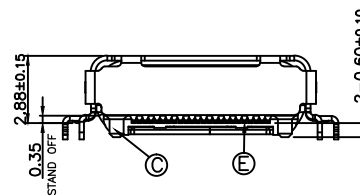
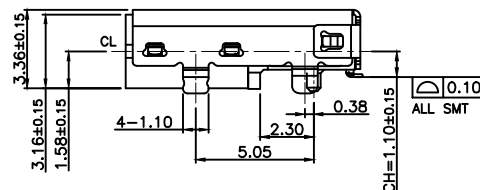
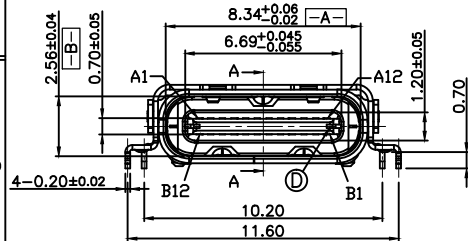


RoHS Compliant **HF**

REV.	ECN.NO.	MODIFY.CONTENT
X1	/	NEW



PLUG
PLUG INSERTION DEPTH



NOTES :

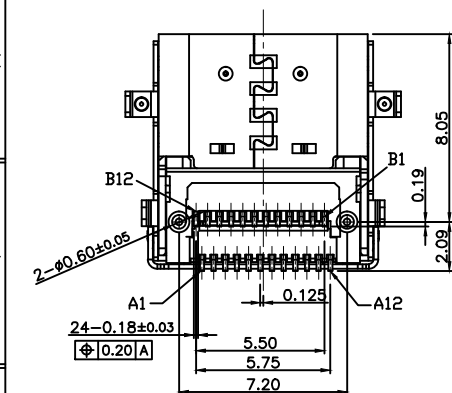
- ELECTRICAL :
 - CONTACT CURRENT RATING :
5A FOR VBUS (Pins A4,A9,B4,B9,A1,A12,B1,B12),
1.25A FOR VCONN.
VOLTAGE RATING: 20V
 - INSULATION RESISTANCE :
100 MEGAOHMS. AT 300VDC.
 - DIELECTRIC WITHSTANDING VOLTAGE :100VAC,
0.5mA LEAKAGE CURRENT MAX..
 - LOW LEVEL CONTACT RESISTANCE :
INITIAL 40mΩ AFTER LIFE 50mΩ MAX.
- MECHANICAL CHARACTERISTICS :
 - INSERTION FORCE : 5N~20N .
 - EXTRACTION FORCE : 8N~20N .
6N~20N AFTER LIFE TEST.
 - DURABILITY : 10,000 MATING CYCLES.
 - OPERATING TEMPERATURE : -55°C TO +85°C

PART.NO.:
U189-CF24T014**-B

- 08: 功能区镀金1U", 锡脚镀G/F
- 09: 功能区镀金3U", 锡脚镀G/F
- 10: 功能区镀金5U", 锡脚镀G/F
- 11: 功能区镀金10U", 锡脚镀G/F
- 12: 功能区镀金15U", 锡脚镀G/F
- 13: 功能区镀金30U", 锡脚镀G/F

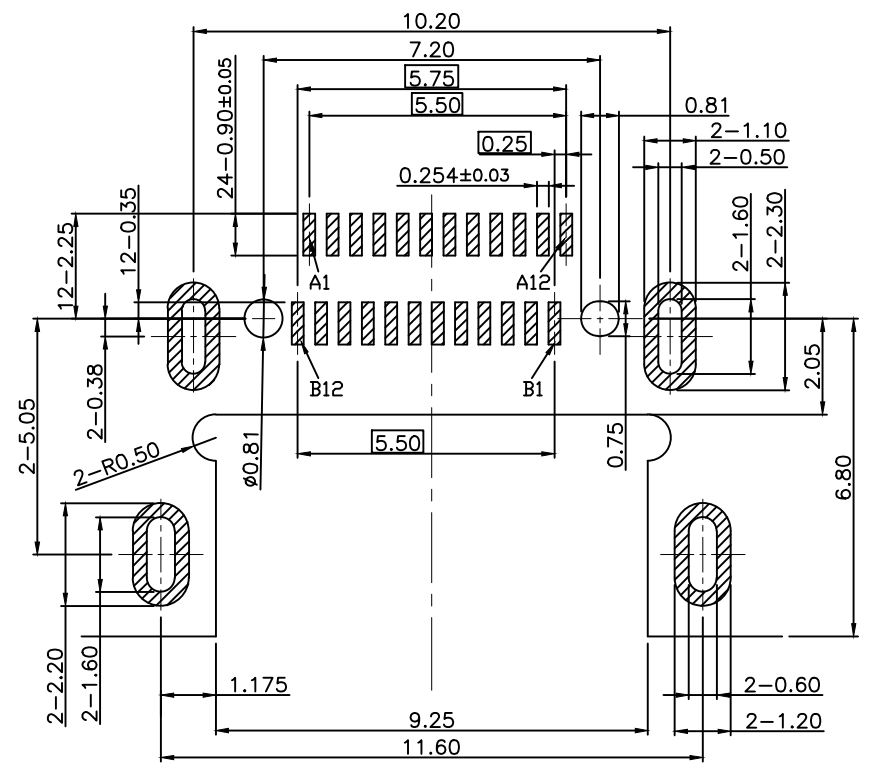
Pin	SIGNAL NAME	Pin	
A1	GND	B12	GND
A2	SSTXp1	B11	SSRXp1
A3	SSTXn1	B10	SSRXn1
A4	VBUS	B9	VBUS
A5	CC1	B8	SBU2
A6	Dp1	B7	Dn2
A7	Dn1	B6	Dp2
A8	SBU1	B5	CC2
A9	VBUS	B4	VBUS
A10	SSRXn2	B3	SSTXn2
A11	SSRXp2	B2	SSTXp2
A12	GND	B1	GND

ITEM	PART NAME	QTY	MATERIAL	REMARK
(E)	TERMINAL	1 SET	COPPER ALLOY	SEE PART NO.
(D)	SIGNAL	1 PCS	STAINLESS	50u" MIN. Ni PLATING OVERALL.
(C)	HOUSING	1 PCS	LCP	COLOR BLACK;UL94V-0
(B)	INNER SHELL	1 PCS	STAINLESS	WATER CLEANING
(A)	OUTER SHELL	1 PCS	STAINLESS	50u" MIN. Ni PLATING OVERALL,




GENERAL TOLERANCE	DWG.NO.	U189-CF24T01408-B	PART.NO.	U189-CF24T014**-B	DRAWN	GONG 2021.05.24	UNIT	mm	SCALE	1:1
x.±0.50	x. ± 1°	REV.	X1	TITLE	TYPE-C 24PIN CH=1.10	CHECKED	东莞市欧联电子科技有限公司 DONGGUAN OLN ELECTRONICS TECHNOLOGY CO., LTD.			
.x±0.25	.x ± 0.5°	SIZE		SHEET	1 OF 3	APPROVED				
.xx±0.15	.xx ± 0.5°	A4								

REV.	ECN.NO.	MODIFY.CONTENT
X1	/	NEW



RECOMMENDED PCB LAYOUT(TOP VIEW)

GENERAL TOLERANCE ±0.05

GENERAL TOLERANCE	DWG.NO.	U189-CF24T01408-B	PART.NO.	U189-CF24T014**-B	DRAWN	GONG 2021.05.24	UNIT	mm	SCALE	1:1
x.±0.50	REV.	X1	TITLE	TYPE-C 24PIN CH=1.10	CHECKED		 东莞市欧联电子科技有限公司 DONGGUAN OLN ELECTRONICS TECHNOLOGY CO., LTD.			
.x±0.25	SIZE	A4	SHEET	2 OF 3	APPROVED					
.xx±0.15	A4									